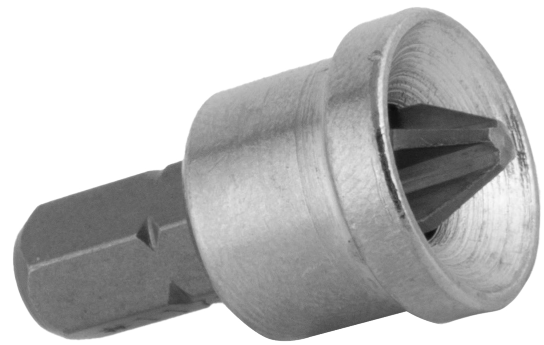
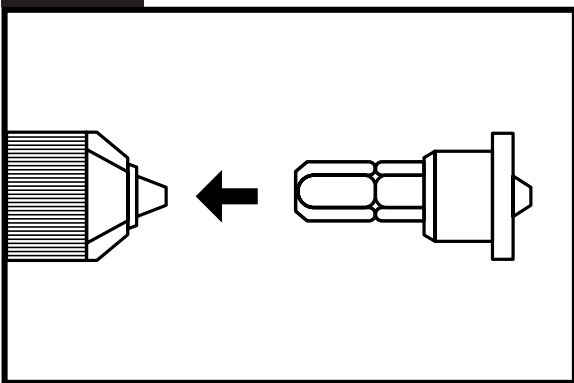


PH2

Plasterboard Screw
Guard 25mm

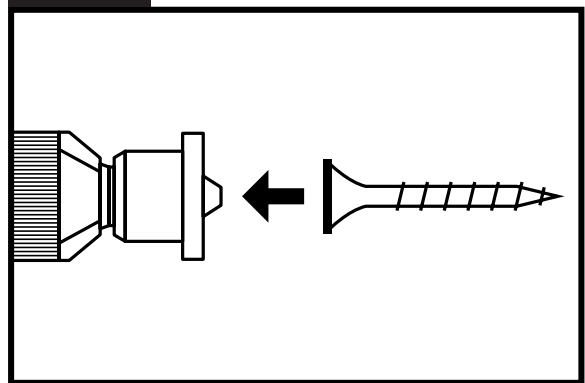


STEP 1



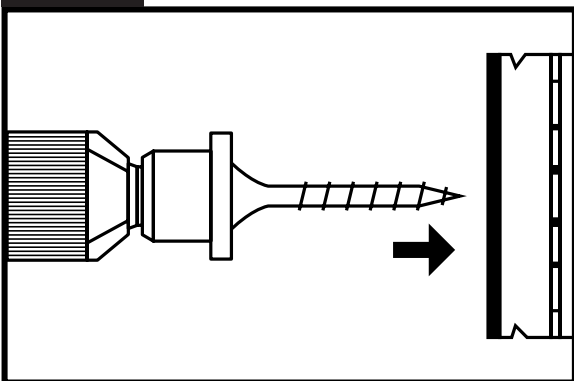
Insert the Screw Guard: Attach the screw guard to the drill chuck, ensuring it is secure.

STEP 2



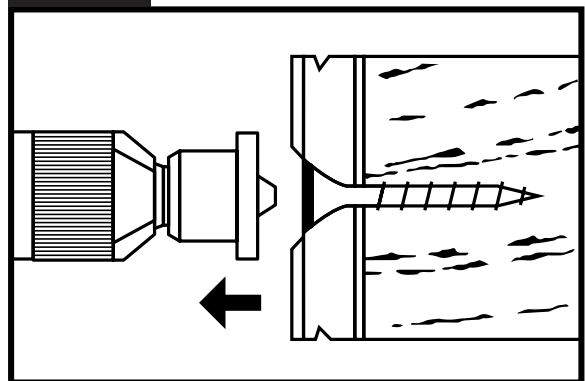
Position the Screw: Place the screw onto the screw guard. Its magnetic feature should hold the screw in place.

STEP 3



Drive the Screw: With steady pressure, drive the screw into the plasterboard.

STEP 4



Secure the Screw: Continue driving the screw until it reaches the required depth.

The depth guard prevents damage to the plasterboard surface.

GFB-117-C

