

PRODUCT INFO

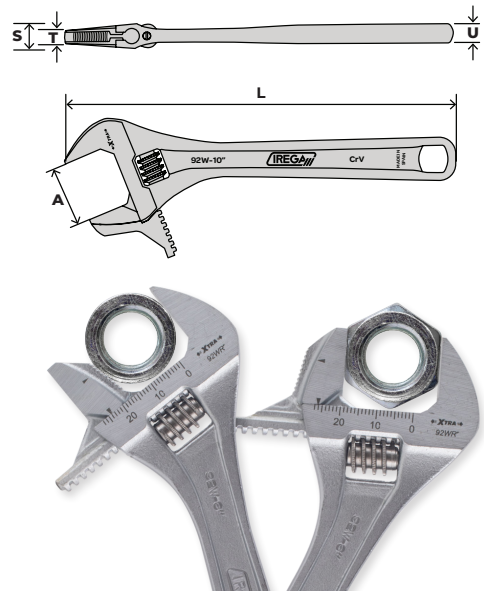
REVERSIBLE JAW ADJUSTABLE WRENCH

MOD. 92WR



DESCRIPTION

Introducing the Irega Reversible Jaw Adjustable Wrench - a versatile tool designed for unparalleled performance. Its unique Reversible Jaw and Xtra capacity redefine convenience, enabling seamless work on larger diameter nuts and pipes using a single wrench. Equipped with a dual scale, millimeters on the front and inches on the back, ensuring precision in every use. Crafted from top-notch Chrome Vanadium Steel, it guarantees lasting quality and robustness. This professional-grade adjustable wrench thrives as a multipurpose companion, perfectly adept at handling objects of cylindrical shapes. Boasting exceptional ergonomics, it's light, compact, and an epitome of comfort. With manufacturing adhering to the most rigorous International Standards, including UNE 16532, ISO 6787, BS ISO 6787, ASME B107.100, and DIN 3117, Irega proudly champions a 100% Quality Assured legacy.



SKU	BARCODE	LENGTH (L)	OPENING (A)	DEPTH 1 (S)	DEPTH 2 (T)	DEPTH 3 (U)	WEIGHT
IG92WR-06	8410295826179	161mm (6")	27mm (1-1/16")	10.8mm	5.3mm	8mm	140g
IG92WR-08	8410295826186	207mm (8")	33.3mm (1-5/16")	14mm	7.3mm	10mm	280g
IG92WR-10	8410295826193	259mm (10")	40mm (1-9/16")	15.8mm	7.8mm	11.5mm	450g
IG92WR-12	8410295826209	311mm (12")	45mm (1-3/4")	19mm	9.8mm	13.5mm	730g