

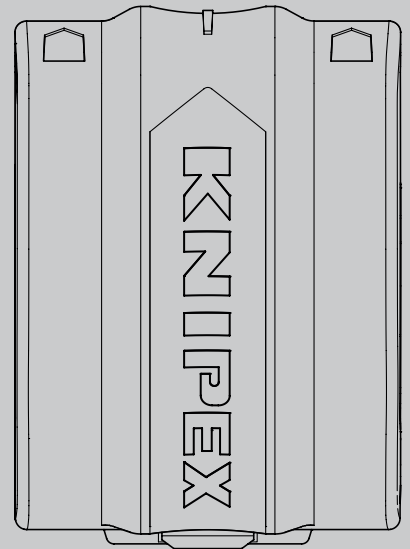
KNIPEX Quality – Made in Germany



## Operating instructions

**EN** KNIPEX BiX®  
Cutters for plastic pipes and sealing sleeves

90 22 10 BK



## CONTENTS

<b>1</b>	<b>General</b>	<b>3</b>
1.1	Notes on operating instructions	3
1.2	Symbols used	3
1.3	Copyright	3
1.4	Guarantee and warranty	4
<b>2</b>	<b>Safety</b>	<b>4</b>
2.1	Intended use	4
<b>3</b>	<b>Design and function</b>	<b>5</b>
3.1	Design	5
3.2	Function	5
<b>4</b>	<b>Operation</b>	<b>6</b>
4.1	Changing the position of the blade block	6
4.2	Replacing the blade	7
4.3	Cutting plastic pipes	9
4.4	Cutting sealing sleeves	10
<b>5</b>	<b>Maintenance</b>	<b>11</b>
<b>6</b>	<b>Technical data</b>	<b>11</b>
6.1	Technical data	11
<b>7</b>	<b>Disposal</b>	<b>11</b>

## 1 General

### 1.1 Notes on operating instructions

These operating instructions are designed to enable you to use your tool safely and efficiently.

The tool may only be used if it is in technically perfect condition.

As a consequence of technical developments, the illustrations and descriptions contained in these operating instructions may differ slightly from the tool actually delivered.

We do not accept any liability for damage caused by failure to observe these operating instructions.

### 1.2 Symbols used

All safety instructions in these operating instructions are indicated by corresponding symbols. The signal words at the beginning of each safety instruction express the extent of the Hazard.



#### **Danger!**

##### **Level 1 risk source**

This combination of symbol and signal word indicates an imminently hazardous situation that will result in death or serious injury if not avoided.



#### **Warning!**

##### **Level 2 risk source**

This combination of symbol and signal word indicates a possibly hazardous situation that may result in death or serious injury if not avoided.



#### **Caution!**

##### **Level 3 risk source**

This combination of symbol and signal word stands for important information that will assist in preventing damage to property or the environment.

### 1.3 Copyright

These operating instructions and all documentation supplied with this tool are protected by copyright and remain the property of KNIPEX.

The reprinting of these instructions, even in extract form, is only permitted with the written consent of C. Gustav Putsch KG.

### 1.4 Guarantee and warranty

The manufacturer grants a statutory warranty in accordance with the current sales and delivery conditions. No further warranties or assurances are granted.

Within the warranty period, the warranty covers the rectification of all defects that can be traced back to material faults or manufacturing errors.

Wearing parts are excluded from the warranty.

The repair or replacement of a tool shall not result in an extension of the warranty period. Tools shall only be repaired or replaced with "as new" parts, whose function corresponds to that of the old parts. All defective and hence replaced parts are the property of the manufacturer.

Warranty claims shall expire in particular if:

- Damage is caused through improper operation, use for purposes other than those specified by the manufacturer, or poor maintenance.
- Repairs or conversions are carried out by unauthorized persons.
- Original accessories or spare parts from KNIPEX are not used.
- Defective components are not repaired immediately to minimise the extent of the damage and so as not to impair the safety of the tool (obligation to repair).

For the rest, reference is made to the liability and warranty regulations of the current sales and delivery conditions.

## 2 Safety

### 2.1 Intended use

The tool is intended for the following uses:

- Cutting of plastic pipes with diameters of 20-50 mm (up to 2.4 mm wall thickness): the piece to be cut must be at least 25 mm long
- Cutting sealing sleeves (up to 3.4 mm wall thickness)

Any use beyond the intended purpose or any unauthorized modification shall be considered improper. The operator shall be liable for damages resulting from improper use.

Intended use also includes adhering to these operating instructions. They must be read in full before use.



#### **Warning!**

#### **Danger from sharp blades!**

Handling sharp blades is dangerous. For this reason, make sure to handle your tools with care when working.



#### **Warning!**

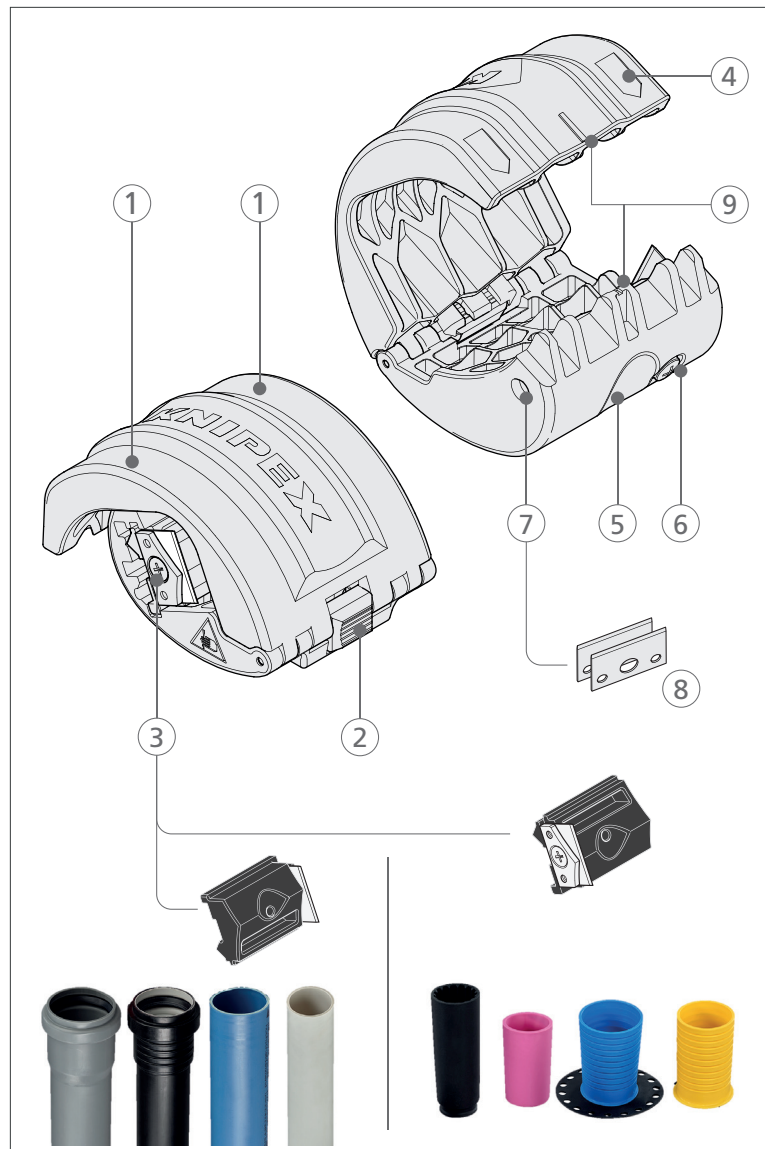
#### **Danger due to sharp blade!**

Always transport the tool in the locked state.

The blade must be in the middle of the tool during transport.

### 3 Design and function

#### 3.1 Design



Structure of the KNIPEX BiX®

- 1 Finger grooves
- 2 Catch for the opening mechanism
- 3 Blade block
- 4 Arrows for direction of rotation
- 5 Thumb recess
- 6 Fastening screw for securing the blade block
- 7 Opening to slide out the spare blades
- 8 Spare blades
- 9 Markings for cutting line

#### 3.2 Function

Plastic pipes (high pressure pipes, HT pipes, sound-insulated pipes, electrical installation pipes) as well as sealing sleeves (e.g., USH, Tece, Haas) can be cut with the KNIPEX BiX®.

## 4 Operation

Separate positions of the blade block are provided for each of the two applications of the tool.

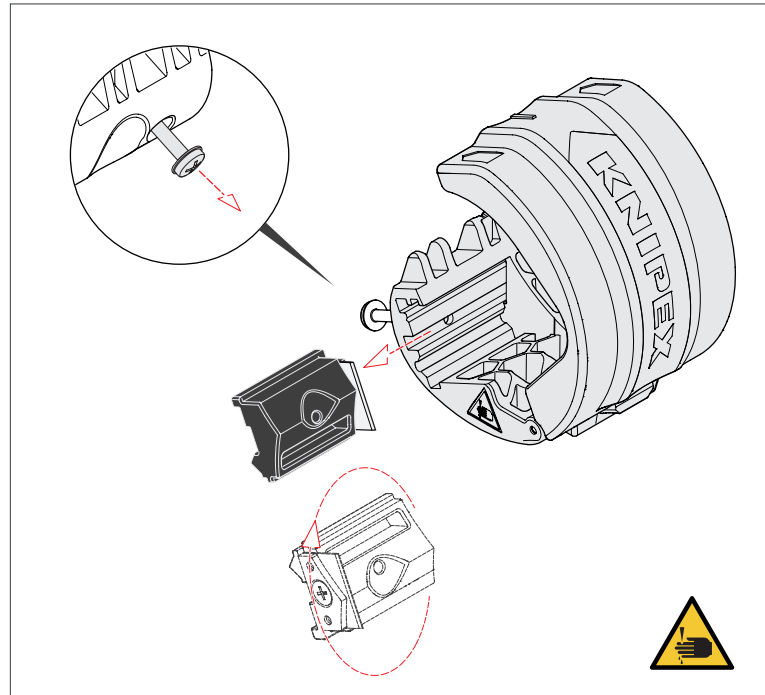
- Cutting plastic pipes: blade in the middle of the tool
- Cutting sealing sleeves: blade on the outside of the tool

### 4.1 Changing the position of the blade block

- » Loosen the screw to fix the blade block with the tool closed.

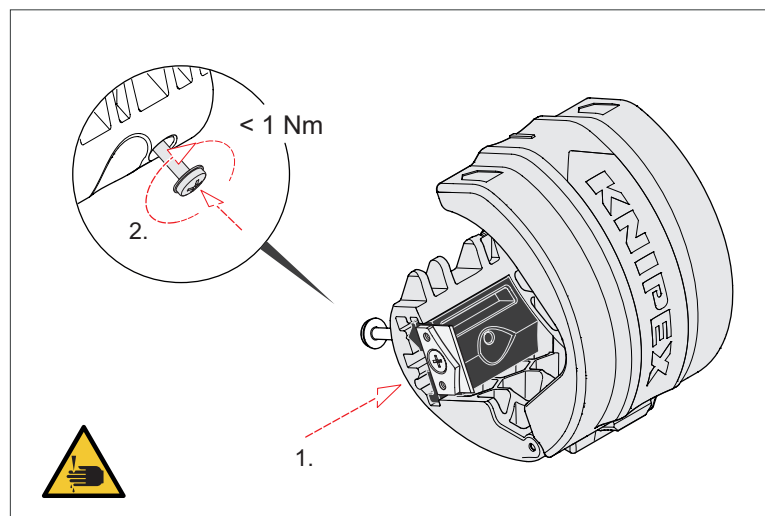
**Note:** Do not unscrew the captive screw too far!

- » Pull the catch to open the tool and remove the blade block.



Take the blade block out of the guide

- » Push the blade block into its guide in the desired position and tighten the screw with a maximum torque of 1 Nm.

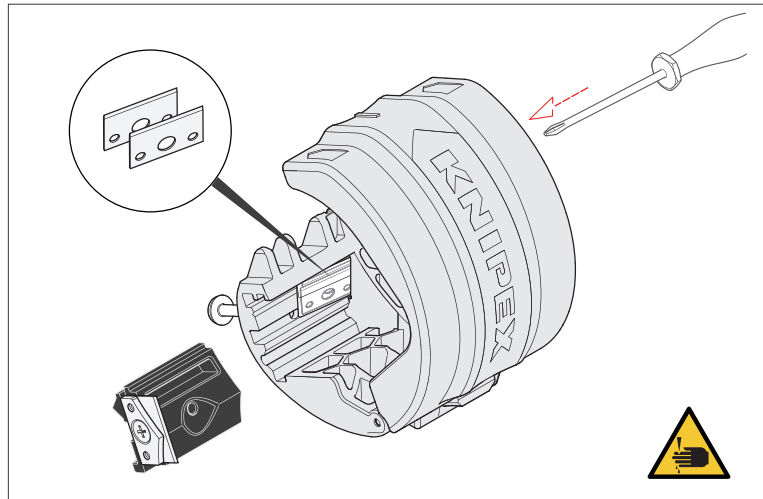


Insert the blade block into the guide

## 4.2 Replacing the blade

### 4.2.1 Remove the used blade

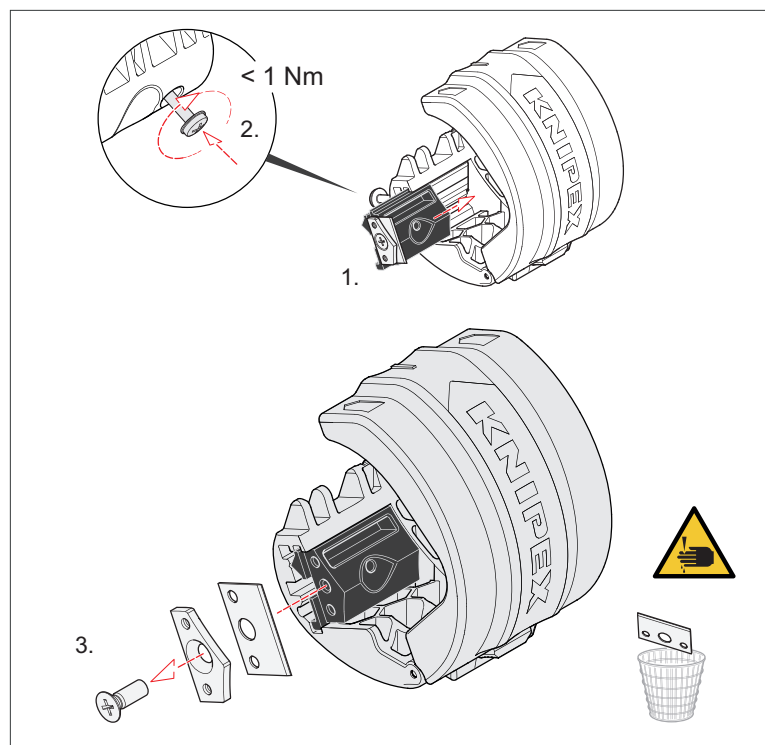
- » Remove the blade block as previously described.
- » Use a screwdriver to slide the spare blades out of the tool.
- » Take out a spare blade and push the second back into the tool.
- » Reinstall the blade block with the blade facing out.
- » Close the tool and screw down the blade block.



Remove spare blades

- » Loosen the screw to secure the retaining plate and remove the retaining plate and the old blade.

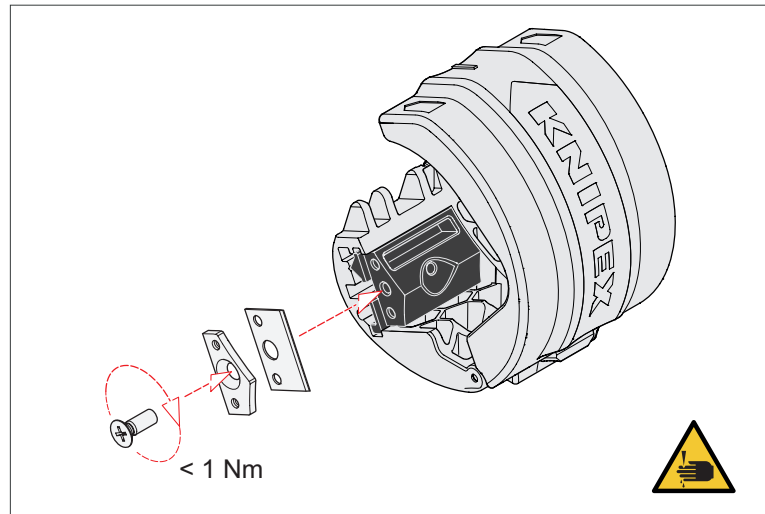
**Caution: The blade is sharp!**



Remove the blade

- » Dispose of the used blade properly.

## 4.2.2 Install a new blade



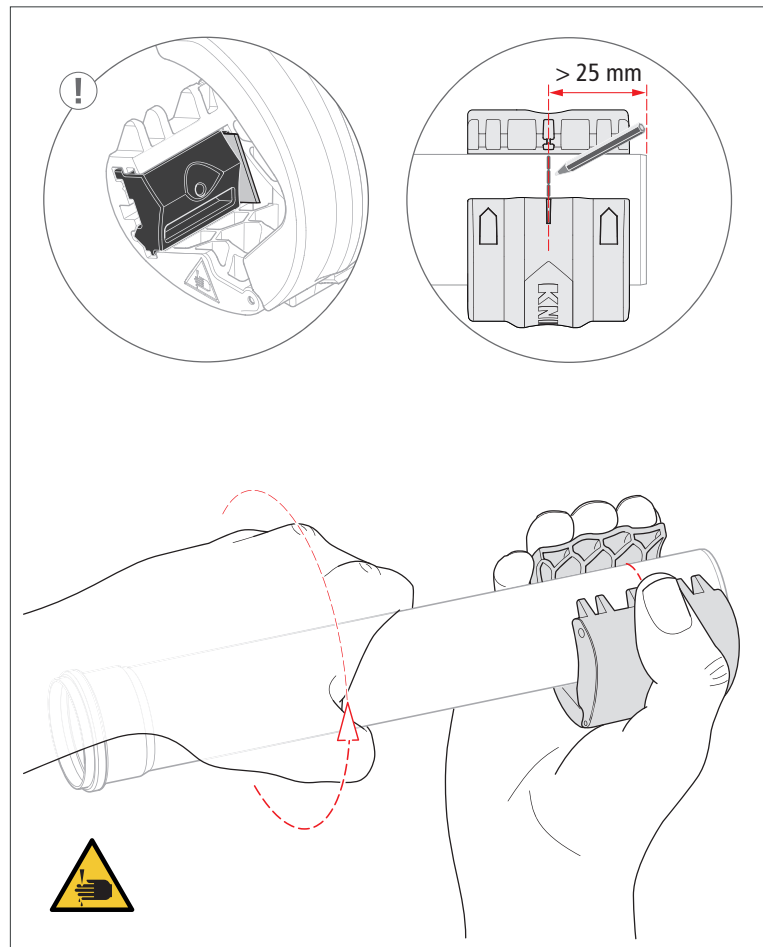
Insert the blade

- » Put a new blade in the blade block.
- » Place the holding plate in front of the blade and position it with the centring provided.
- » Affix both parts with the screw.
- » Then, if you want to use the tool to cut plastic pipes, change the position of the blade block as previously described.



### 4.3 Cutting plastic pipes

When cutting plastic pipes, the blade must be in the centre of the tool.



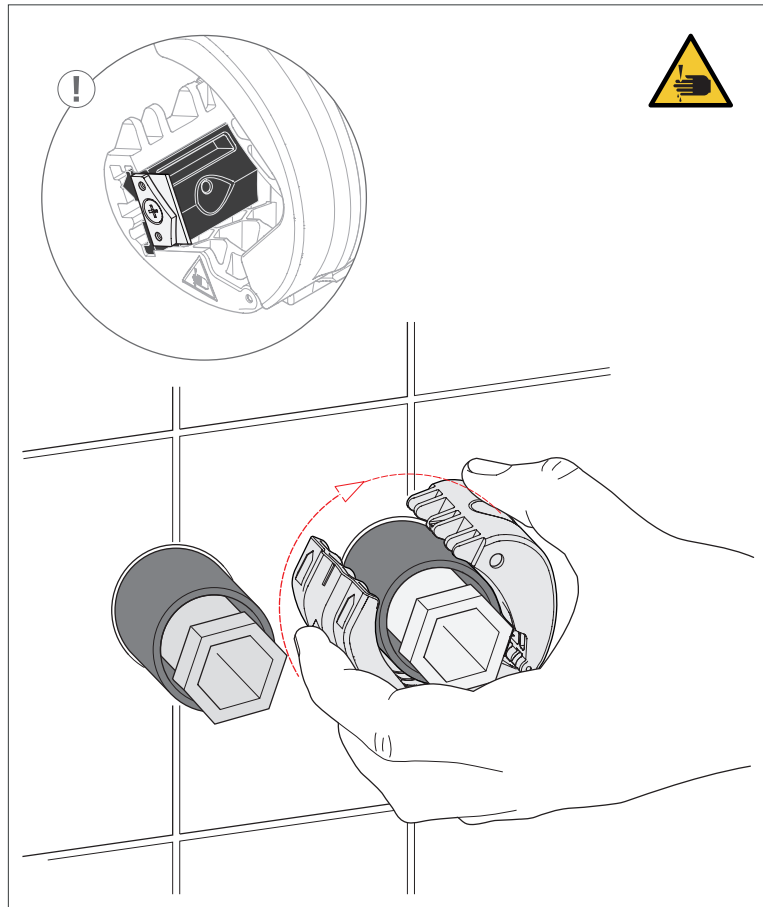
Cutting plastic pipes

- » Actuate the catch to open the tool.
- » Place the tool around the pipe.
- » Define the cutting line using the markings on the tool. The piece to be cut must be **at least 25 mm** long!
- » Use the finger recesses and the thumb recess to optimally secure the tool.
- » Turn the pipe at least twice in the direction of rotation (arrow) in the tool.
- » **Note:** The first rotation is used for pre-cutting (only light pressure on the tool). Each subsequent rotation is for cutting through.

The cut-off remains in the tool and does not fall down.

#### 4.4 Cutting sealing sleeves

When cutting sealing sleeves, the blade must be on the outside of the tool.



Cutting sealing sleeves

- » Actuate the catch to open the tool.
- » Place the tool around the sleeve and apply slight pressure directly to the wall (tile).
- » Turn the tool at least twice in the direction of rotation (arrow) around the sleeve.

## 5 Maintenance

Before each use, clean the guide surfaces and the blade contact surfaces of the tool with a rag.

## 6 Technical data

### 6.1 Technical data

Technical data	Unit	
Item number of the pipe cutter	–	90 22 10 BK
Item number of the spare blades	–	90 22 10 E01
Length	mm	70
Width	mm	40
Height	mm	50
Weight	g	68
Properties	–	with pawl

## 7 Disposal

Ensure that the dismantled parts of the tool are properly recycled.



**KNIPEX-Werk**  
**C. Gustav Putsch KG**

42337 Wuppertal

Tel.: +49 202 – 47 94-0  
Fax: +49 202 – 47 74 94

[info@knipex.com](mailto:info@knipex.com)  
[www.knipex.com](http://www.knipex.com)