

PRODUCT INFO

WIRE STRIPPER

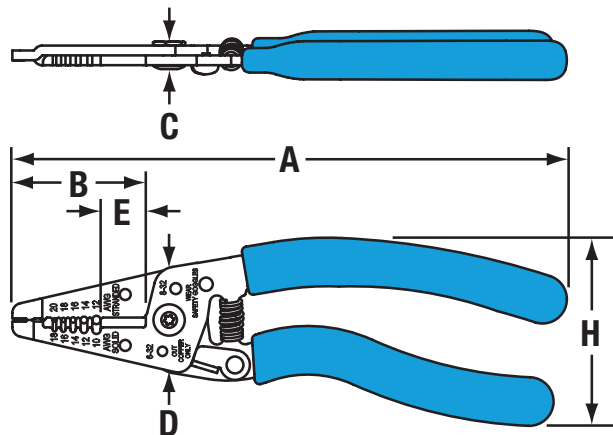
CH957



DESCRIPTION

The Channellock 957 7" Wire Strippers are precision-machined and designed to last against the rigors of everyday use. Includes a precision ground cutter, common stripping hole sizes, and a lean nose design for pulling and looping wire. Channellock Wire Strippers are 100% made in USA.

WARNING: This product can expose you to chemicals including di-isobutyl phthalate compounds, which are known to the State of California to cause cancer. For more info go to www.P65Warnings.ca.gov



FEATURES

- Precision cutting edges cleanly cut and strip AWG 10-20 wire.
- Ergonomic handle design and durable coiled spring reduce hand fatigue.
- Screw shears 6-32, 8-32.
- Lean pliers nose pulls and loops wire.
- Laser-etched gauge indicators.
- Lock for safe storage.
- Channellock blue grips for comfort.

BARCODE: 025582440310

OVERALL LENGTH (A): 177.80mm

JAW LENGTH (B): 42.67mm

JOINT THICKNESS (C): 11.68mm

JOINT WIDTH (D): 33.02mm

CUTTING EDGE (E): 14.48mm

HANDLE SPAN (H): 52.07mm

WEIGHT: 154.22g