

# STANLEY®

# FATMAX®



[www.stanleytools.eu](http://www.stanleytools.eu)

## FMHT83550

Fig. A

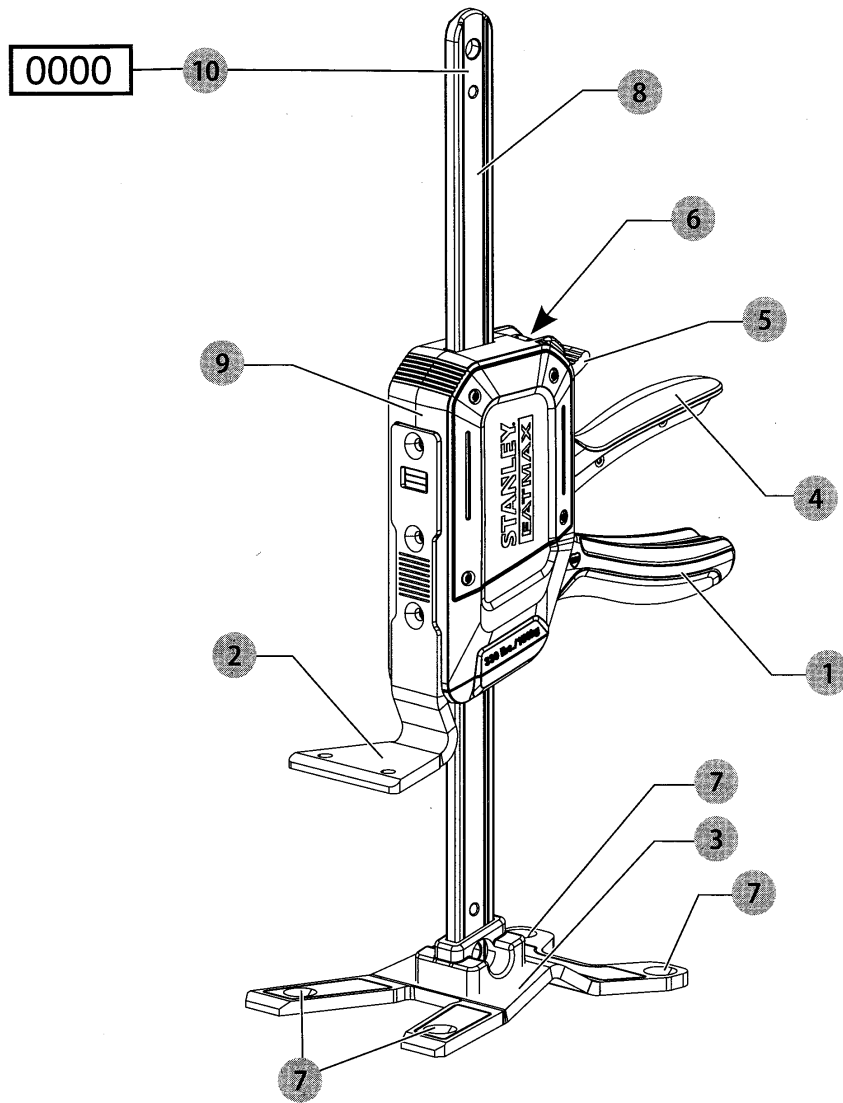
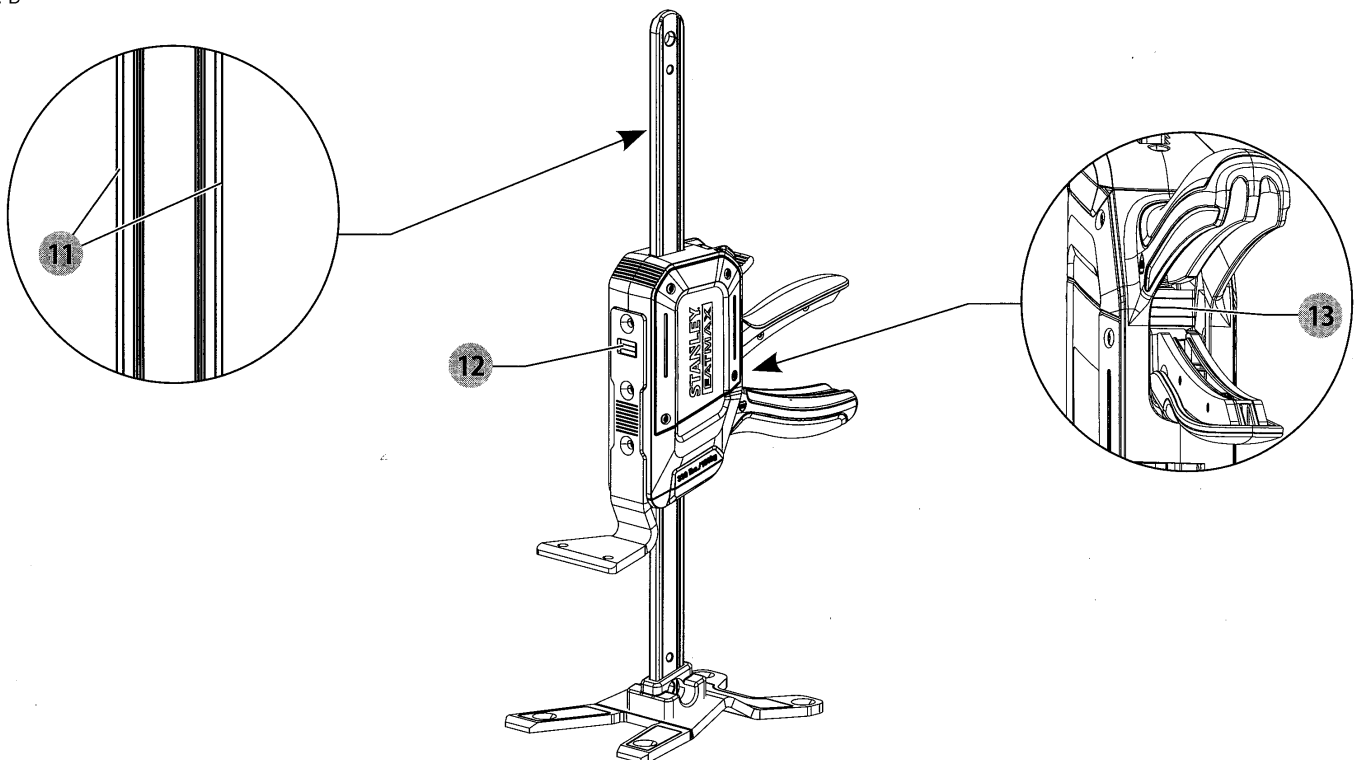


Fig. B



# TRADELIFT

## FMHT83550

### Congratulations!

You have chosen a STANLEY FATMAX tool. Years of experience, thorough product development and innovation make STANLEY FATMAX one of the most reliable partners for professional tool users.

### Technical Data

		FMHT83550
Type		1
Maximum Lift Height	mm	220
Maximum Lift Weight	kg	150
Tool Weight	kg	2.2

### EC-Declaration of Conformity

#### Machinery Directive



#### Trade Lift FMHT83550

STANLEY FATMAX declares that these products described under **Technical Data** are in compliance with: 2006/42/EC, ISO 12100: 2010.

For more information, please contact STANLEY FATMAX at the following address or refer to the back of the manual.

The undersigned is responsible for compilation of the technical file and makes this declaration on behalf of STANLEY FATMAX.

*Jessica T. LaFond*

Jessica LaFond  
VP of Engineering - HTSG  
Stanley Black & Decker  
701 East Joppa Road, TW120  
Towson, MD 21286  
USA  
19.10.2023

Guillaume Bonafe  
EU Representative  
Stanley Black & Decker  
6-8 Rue Gustave Eiffel  
91423 Morangis, France  
19.10.2023



**WARNING:** To reduce the risk of injury, read the instruction manual.

### Definitions: Safety Guidelines

The definitions below describe the level of severity for each signal word. Please read the manual and pay attention to these symbols.



**DANGER:** Indicates an imminently hazardous situation which, if not avoided, **will** result in **death or serious injury**.



**WARNING:** Indicates a potentially hazardous situation which, if not avoided, **could** result in **death or serious injury**.



**CAUTION:** Indicates a potentially hazardous situation which, if not avoided, **may** result in **minor or moderate injury**.

**NOTICE:** Indicates a practice **not related to personal injury** which, if not avoided, **may** result in **property damage**.



Denotes risk of electric shock.



Denotes risk of fire.

### GENERAL SAFETY WARNINGS



**WARNING:** Read all safety warnings, instructions, illustrations and specifications provided with this tool. Failure to follow all instructions listed below may result in serious personal injury and property damage.

### SAVE ALL WARNINGS AND INSTRUCTIONS FOR FUTURE REFERENCE



**WARNING:** To reduce the risk of injury. Wear ANSI Z87 safety glasses or goggles. Further protective equipment for hands, legs and feet is recommended. Adequate protective equipment will reduce personal injury from flying debris.



**WARNING:** Keep children and pets away from work area.



**WARNING:** Do not leave FMHT83550 unattended.



**WARNING:** Never use extensions or cheater bars.



**WARNING:** Do not exceed the maximum weight of 150 kg (330 lbs). This could damage the tool, cause personal injury and property damage.



**WARNING:** Avoid tipping by using only on level surfaces. Always center the load on the lift plate before starting.



**WARNING:** Never activate the no load quick release button while supporting weight.



**WARNING:** Always brace material you are lifting to protect its surface from damage. Never place anything under lifted objects. Avoid damage by protecting work surface.

1. **Do not lift or lower objects that are not fully supported on the lift plate.**
2. **Ensure that the lifted application is always fully supported and stable while lifting or lowering.**
3. **Keep proper footing and balance at all times.**
4. **Never place any part of your body under the application when the FMHT83550 is under load.** A moment of inattention while operating the FMHT83550 may cause personal injury and property damage.

## Markings on Tool

The following pictograms are shown on the tool:



Read instruction manual before use.



Wear eye protection.

## Date Code Position (Fig. A)

The production date code **10** consists of a 2-digit year followed by a 2-digit week.

## Description (Fig. A)



**WARNING:** Never modify the tool or any part of it. Damage or personal injury could result.

- 1 Main handle
- 2 Lift plate
- 3 Base plate
- 4 Trigger
- 5 Lowering lever
- 6 No load quick release button
- 7 Countersunk holes
- 8 Bar
- 9 Jack body
- 10 Date code

## Intended Use

The FMHT83550 lifting jack is designed for professional lifting applications. Each FMHT83550 is capable of lifting 150 kg (330 lbs) up to 220 mm (8.75").

**DO NOT** let children come into contact with the tool.

Supervision is required when inexperienced operators use this tool.

- **Young children and the infirm.** This appliance is not intended for use by young children or infirm persons without supervision.
- This product is not intended for use by persons (including children) suffering from diminished physical, sensory or mental abilities; lack of experience, knowledge or skills unless they are supervised by a person responsible for their safety. Children should never be left alone with this product.

## OPERATION

### Instructions for Use



**WARNING:** To reduce the risk of serious personal injury, **ALWAYS** hold securely in anticipation of a sudden reaction.



**WARNING:** Read and understand all instructions. Failure to follow all instructions listed below may result in electric shock, fire and/or serious personal injury.

### Proper Hand Position (Fig. A)



**WARNING:** To reduce the risk of serious personal injury, **ALWAYS** use proper hand position as described.



**WARNING:** To reduce the risk of serious personal injury, **ALWAYS** hold securely in anticipation of a sudden reaction.

Proper hand position requires the one hand on the trigger **4** and the main handle **1** with the thumb and fingers encircling both.

### To Lift The Application

1. To lift an application, place the lift plate **2** under the application with the base plate **3** supported firmly on a solid surface.

**NOTE:** Ensure the application does not exceed the 150 kg (330 lbs) weight limit.

### Hand lifting

1. Grasp the main handle **1** and trigger **4** with one hand and squeeze the trigger **4** towards the main handle **1** with the thumb and fingers encircling both.
2. Squeeze the trigger **4** multiple times to move the lift plate upward on the bar **8** until your application reaches the desired height.

### Foot lifting

1. Use your foot to press the trigger **4** down towards the main handle **1**. Ensure that you only press straight down on the trigger. Do not use a sideways pressure to press the trigger **4**.
2. Press the trigger **4** multiple times to move the lift plate upward on the bar **8** until your application reaches the desired height.

### To Precisely Lower The Application

1. To lower the application, with one hand grasp the main handle **1** and use your other hand to press the lowering lever **5**.

**NOTE:** The lowering lever **5** allows for precise lowering of your application.

### To Lower The Lift Plate



**WARNING:** Never activate the no load quick release button **6** while supporting weight.

To lower the lift plate **2** when not loaded, use the no load quick release button **6**.

1. Ensure there is no load on the lift plate **2** before pressing the no load quick release button **6** to slide the lift plate **2** towards the base plate **3**.

## Mounting the FMHT83550



**WARNING:** Avoid tipping by using only on level surfaces.



**WARNING:** Always center the load on the lift plate before starting to lift.



**WARNING:** Do Not exceed the maximum weight of 150 kg (330 lbs).

The FMHT83550 can be secured to a solid surface such as a work bench or countertop.

1. Source four appropriately sized countersunk head screws (not included).
2. Place the base plate **3** onto the location where you wish to mount the FMHT83550. Mark the location of the four countersunk holes **7** onto the solid surface. Prepare the solid surface per the instructions of the screw manufacturer.
3. Insert four appropriately sized countersunk head screws (not included) into the four countersunk holes **7** located on the base plate **3** and secure FMHT83550 to the solid surface per the instructions of the screw manufacturer.

## MAINTENANCE



**WARNING:** Before each use, inspect the tool and correct any problems before attempting to use.



**WARNING:** Only STANLEY FATMAX qualified personnel should service this tool.

Your STANLEY FATMAX product has been designed to operate over a long period of time with a minimum of maintenance. Continuous satisfactory operation depends upon proper appliance care and regular cleaning.

1. Store this product in a dry, secure place where it cannot be damaged.

## Lubrication (Fig. B)



**WARNING:** Excessive lubrication can cause a loss of friction when under load, this could result in serious personal injury and property damage.

It is recommended that you regularly lubricate the FMHT83550 for optimal lifting performance.

**NOTE:** Use a high quality mineral oil based multi-purpose oil for proper lubrication. Never use motor oil, waste oil or very thick oil. These may damage your FMHT83550.

1. Apply a few drops of multi-purpose oil (not supplied) to the top and bottom rails **11** of the bar **8**, the exposed lowering tabs **12** on the jack body **9**, and the lowering tabs **13** under the trigger **4** as shown in Fig. B.
2. Spread the multi-purpose oil by sliding the jack body **9** up and down the bar **8**.
3. With a clean rag wipe the excess multi-purpose oil from the bar **8** and jack body **9**.

## Cleaning



**WARNING:** Never use solvents or other harsh chemicals for cleaning the non-metallic parts of the tool. These chemicals may weaken the materials used in these parts. Use a cloth dampened only with water and mild soap. Never let any liquid get inside the tool; never immerse any part of the tool into a liquid.

## Optional Accessories



**WARNING:** Since accessories, other than those offered by STANLEY FATMAX, have not been tested with this product, use of such accessories with this tool could be hazardous. To reduce the risk of injury, only STANLEY FATMAX-recommended accessories should be used with this product.

Consult your dealer for further information on the appropriate accessories.