

PRODUCT INFO

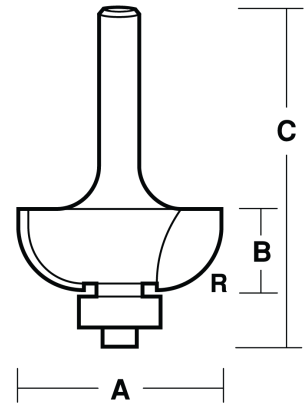
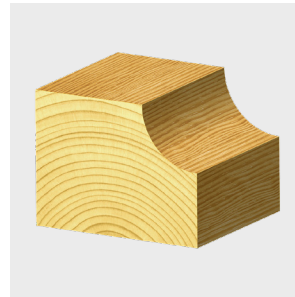
COVE ROUTER BITS WITH BALL BEARING



DESCRIPTION

The Econocut Cove Bit with Ball Bearing Guide is a versatile tool designed for both decorative edging and creating the concave side of drop-leaf table joints. It is commonly used to match a beading or roundover shape on corresponding pieces of stock. With its two flutes, the bit ensures a smoother cutting action, resulting in cleaner and superior finishes. The inclusion of a ball bearing guide enhances precision and control during operation. Made with carbide-tipped material, this bit offers longer-lasting sharpness. For the handyman and DIY enthusiasts.

CUTS:



EY712B

BARCODE: 9314350013070
SHANK: 1/4" (6.35mm)
RADIUS (R): 9.5mm
DIAMETER (A): 28.5mm
CUTTING LENGTH (B): 12.7mm
OVERALL LENGTH (C): 53mm
FLUTES: 2
MAX SPEED (RPM): 18000
QUANTITY: 1
WEIGHT: 51g

EY716B

BARCODE: 9314350013339
SHANK: 1/4" (6.35mm)
RADIUS (R): 12.7mm
DIAMETER (A): 34.9mm
CUTTING LENGTH (B): 15.9mm
OVERALL LENGTH (C): 57.1mm
FLUTES: 2
MAX SPEED (RPM): 18000
QUANTITY: 1
WEIGHT: 75g